



# Assembly manual

**Circulating Water Drain (148830) for Citymaster 1600**

## Introduction

### **Foreword**

The installation procedures described in this assembly manual may only be undertaken by a Hako service centre or a workshop authorised by Hako. Members of staff with the required level of training and expertise are only guaranteed in the said workshops. This assembly manual may be used only in conjunction with the operating manual of the machine.

### **Safety instructions**

Please observe the general safety regulations of the corresponding machine in the relevant operating manual. Place the vehicle on a level surface and secure it with the parking brake. Switch the engine off and pull out the key. When carrying out assembly tasks, an attachment must not be fitted to the rear wagon (dirt hopper, load platform, etc.) as this poses risks when lowering in an uncontrolled manner.

We would expressly advise you that no legal claims may be asserted based on the contents of this manual. In the case of necessary repair work, please make sure that only original spare parts are used. Only original spare parts guarantee constant and reliable operational readiness of the machine. We reserve the right to make changes in the interests of further technical development.

Valid as from: February 2015

Hako GmbH  
23843 Bad Oldesloe, Germany  
Hamburger Str. 209-239  
Phone +49 4531 806-0

# Circulating Water Drain

## 1 Circulating Water Drain

### 1.1 Parts list

- 1 T-piece
  - 3x hose clamp
- 2 Hose
- 3 Flat slider
  - 2x flanged button head bolt M8x16
  - 1x adapter
  - 2x gasket
  - 1x hose clamp

Assembly manual

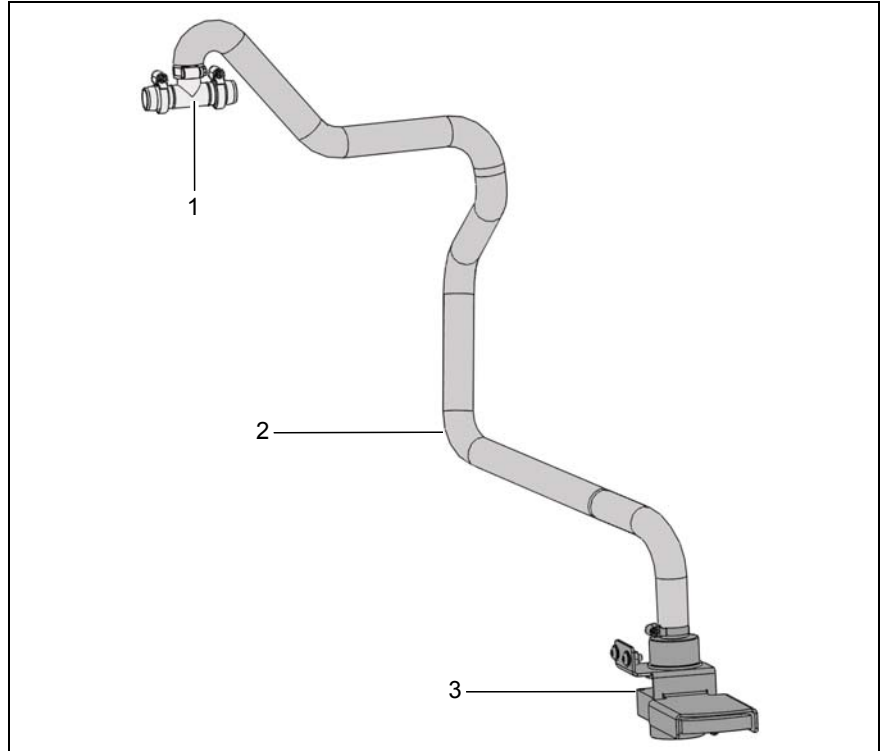


Fig.1

## Circulating Water Drain

### 1.2 Fit the waste water hose

Insert the T-piece (Fig. 2/1) in the circulating water hose (Fig. 2/2) and fix it in position using hose clamps.

Align as shown in the sketch. The elbow (Fig. 2/3) must face upwards! After the elbow, run the hose below the air filter (Fig. 2/4).

Run the hose with a permanent incline up to the wheel case.

The hose must not come into contact with rotating parts (e.g. radiator fan). Only shorten the hose after installing it and fix it to the flat slider using a hose clamp.

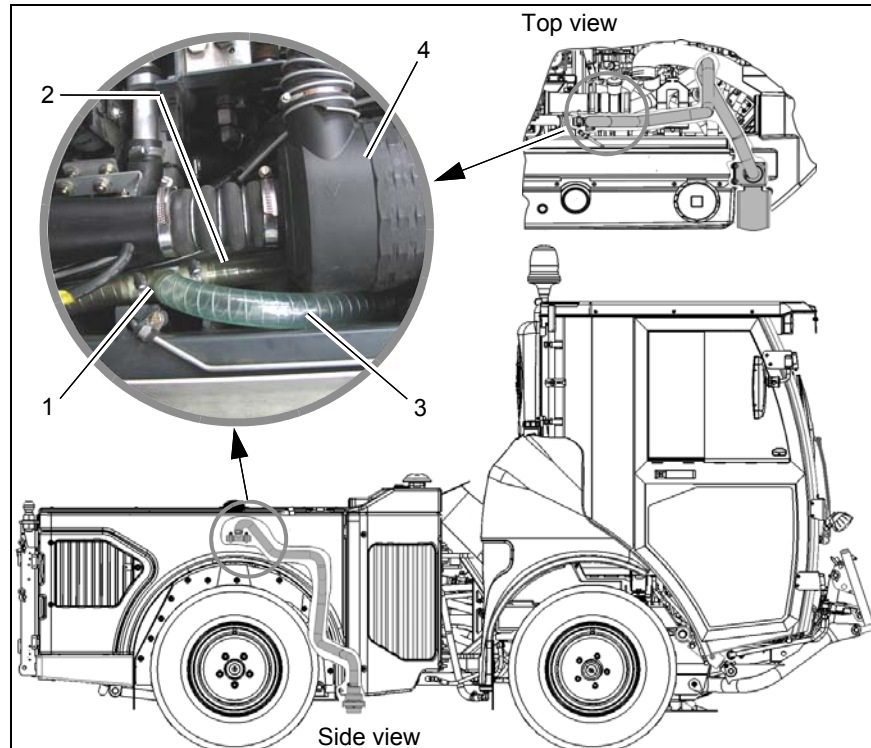


Fig.2

## Circulating Water Drain

### 1.3 Fit the flat slider

Fit the flat slider with the holder (Fig. 3/1) to the plate (Fig. 3/2) of the wheel case using two flanged button head bolts M8x16.

Fit the two gaskets (Fig. 3/3) included in the scope of delivery for the flat slider as shown.

Tighten the adapter (Fig. 3/4) hand-tight!

Check the circulating water system for leaks.

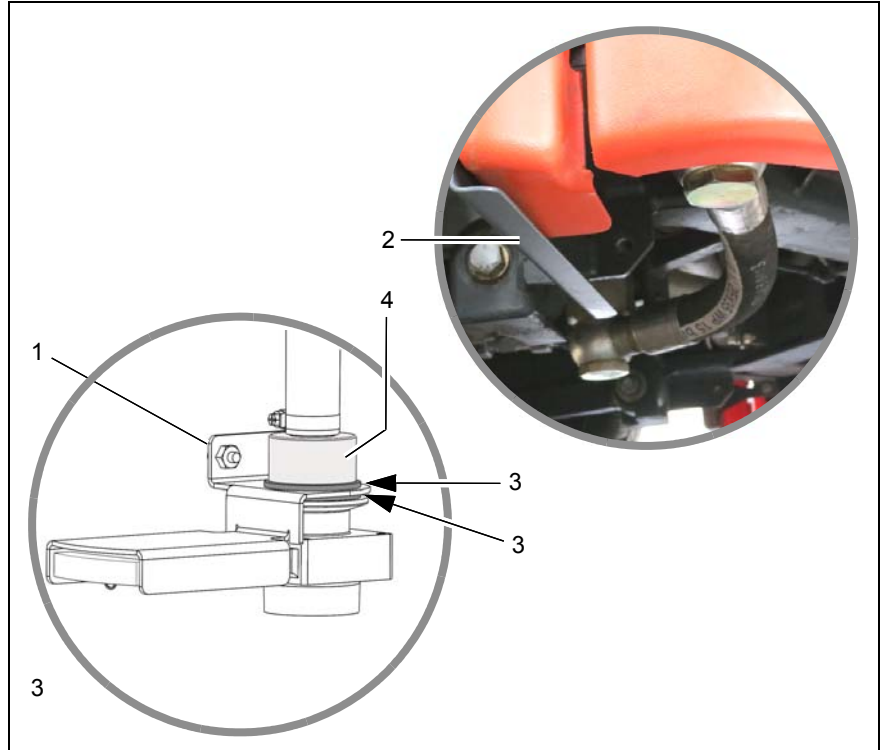


Fig.3

## Circulating Water Drain

### 1.4 Function

If there is excessive water in the dirt hopper during vacuum cleaning, the surplus water can be drained off by the drain. Observe the disposal regulations for dirt.

The valve of the drain is located next to the wheel case (Fig. 4/1).

- To open, pull out the handle (Fig. 4/2) of the valve
- To close, push the handle back in

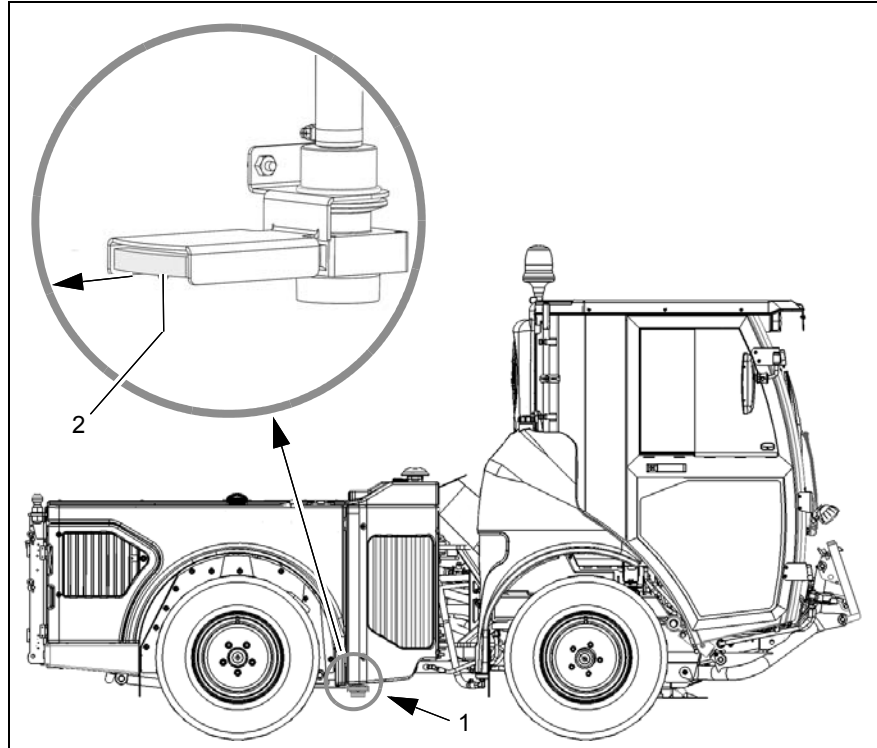


Fig.4

## Circulating Water Drain

# **Hako**

*Clean ahead*

## **Advanced Technology for a Cleaner, Better Environment**



Hako GmbH · Hamburger Str. 209-239 · 23843 Bad Oldesloe · Germany  
Phone +49 4531 806-0 · Fax +49 4531 806-338

88-10-3045-3223-00